

AQUA WHISPER^{PRO}

Be completely in control

Ideal for mid to large size yachts 15 to 150 feet in length (18 to 68 meters). The Aqua Whisper Pro watermaker features semi-automatic operation with a touch pad control panel that allows simple touch and go operation. The Aqua Whisper Pro's high pressure pump is engineered to be quieter than conventional high pressure pumps and operates for 2,000 hours before any maintenance is required.



Modular Configuration



Aqua Whisper PRO Key Features

- Automatic FWF on system stop
- Small footprint
- Automatic shut down, either time duration or product quantity.
- On / Off Manual Booster Pump Button

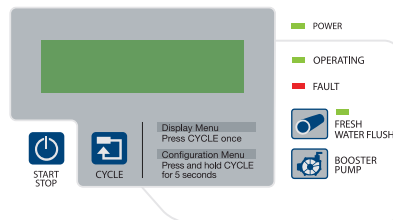


Category | Mid to Large Yachts (40 - 80 ft / 12 - 68 m)



Aqua Whisper Pro

Multiple product water production capabilities from 450 gallons / 1,703 liters to 1800 gallons / 6,814 liters per day (19 gal / 71 lit - 75 gal / 284 lit per hour). All Aqua Whisper Pro models are “in-field” upgradable to higher production capacities. Semi-automatic operation requires only one pressure adjustment to varying feed water conditions. User-friendly touch pad control panel is simple to use and easy to understand.



Optional Settings:

- Auto-start on Tank Empty Level Signal
- Auto-stop on Tank Full Level Signal
- Auto-stop Timer - Five Pre-Defined
- Auto-Shutdown Countdown Times

Manage critical functions from any location

The LCD touch screen acts as your watermaker’s first mate, and will assist your efforts to maintain, guide, and configure the Aqua Whisper Pro anyway you wish. Vital system functions and gauges are reported through the display and remote, and can be accessed at any time. The Aqua Whisper Pro gives operators maximum control with the ability to do more than ever before.

	Plunger Pump
Pump lubrication	oil
Oil Changes	500 hours
Typical Maintenance Schedule	2,000 hours
Wetted Parts	316 Stainless Steel

Customize your high pressure pump

Aqua Whisper Pro owners have the option to customize their settings as well as their major features. The Aqua Whisper Pro comes with a noise reduction plunger pump. You can upgrade your pump to the radial axial, water lubricated pump that is offered as an option. The chart to your left compares the differences between the two pumps.

AQUA WHISPER^{PRO}

Be completely in control

Ideal for mid to large size yachts 15 to 150 feet in length (18 to 68 meters). The Aqua Whisper Pro watermaker features semi-automatic operation with a touch pad control panel that allows simple touch and go operation. The Aqua Whisper Pro's high pressure pump is engineered to be quieter than conventional high pressure pumps and operates for 2,000 hours before any maintenance is required.



Modular Configuration



Aqua Whisper PRO Key Features

- Automatic FWF on system stop
- Small footprint
- Automatic shut down, either time duration or product quantity.
- On / Off Manual Booster Pump Button

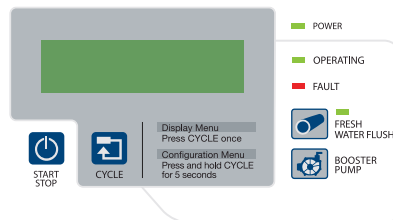


Category | Mid to Large Yachts (40 - 80 ft / 12 - 68 m)



Aqua Whisper Pro

Multiple product water production capabilities from 450 gallons / 1,703 liters to 1800 gallons / 6,814 liters per day (19 gal / 71 lit - 75 gal / 284 lit per hour). All Aqua Whisper Pro models are “in-field” upgradable to higher production capacities. Semi-automatic operation requires only one pressure adjustment to varying feed water conditions. User-friendly touch pad control panel is simple to use and easy to understand.



Optional Settings:

- Auto-start on Tank Empty Level Signal
- Auto-stop on Tank Full Level Signal
- Auto-stop Timer - Five Pre-Defined
- Auto-Shutdown Countdown Times

Manage critical functions from any location

The LCD touch screen acts as your watermaker’s first mate, and will assist your efforts to maintain, guide, and configure the Aqua Whisper Pro anyway you wish. Vital system functions and gauges are reported through the display and remote, and can be accessed at any time. The Aqua Whisper Pro gives operators maximum control with the ability to do more than ever before.

	Plunger Pump
Pump lubrication	oil
Oil Changes	500 hours
Typical Maintenance Schedule	2,000 hours
Wetted Parts	316 Stainless Steel

Customize your high pressure pump

Aqua Whisper Pro owners have the option to customize their settings as well as their major features. The Aqua Whisper Pro comes with a noise reduction plunger pump. You can upgrade your pump to the radial axial, water lubricated pump that is offered as an option. The chart to your left compares the differences between the two pumps.

Specifications - Aqua Whisper DX / Aqua Whisper PRO

* For general system specifications, refer to page 22

	Model #	Production/hr.	Production/24hrs.	AW DX compact*	AW DX modular*	AW PRO compact*	AW PRO modular*
PRODUCTION & WEIGHT	450-1	19 Gal / 71 L	450 Gal / 1,703 L	157 lbs / 71 kg	153 lbs / 69 kg	157 lbs / 71 kg	153 lbs / 69 kg
	700-1	29 Gal / 110 L	700 Gal / 2,650 L	160 lbs / 73 kg	156 lbs / 71 kg	160 lbs / 73 kg	156 lbs / 71 kg
	900-1	38 Gal / 142 L	900 Gal / 3,407 L	162 lbs / 73 kg	158 lbs / 72kg	162 lbs / 73 kg	158 lbs / 72kg
	900-2	38 Gal / 142 L	900 Gal / 3,407 L	169 lbs / 77 kg	165 lbs / 75 kg	169 lbs / 77 kg	165 lbs / 75 kg
	1400-2	58 Gal / 221 L	1,400 Gal / 5,300 L	175 lbs / 79 kg	171 lbs / 76 kg	175 lbs / 79 kg	171 lbs / 76 kg
	1800-2	75 Gal / 284 L	1,800 Gal / 6,814 L	180 lbs / 82 kg	175 lbs / 79 kg	180 lbs / 82 kg	175 lbs / 79 kg

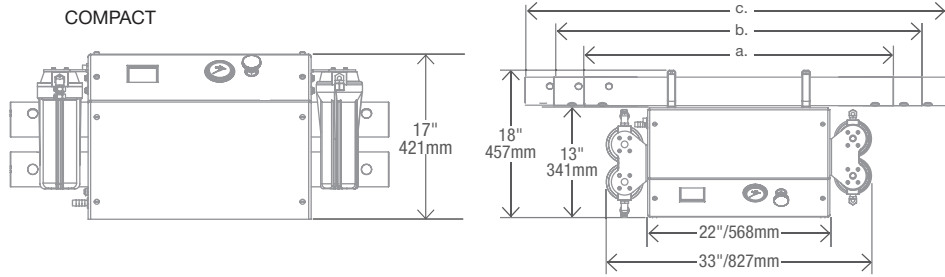
* Weights based on single phase motor. For three phase motors subtract 9 lbs.

ELECTRICAL	Phase	Pump Motor	Voltage VAC	Hz	Normal Operating Amps	Start Up Current
Plunger Pump Radial Axial Pump	Single	High Pressure / Booster	110-115 / 220 -230	50 / 60	110 / 220 30 / 15	110 / 220 100 / 50
	Single	High Pressure / Booster	110-115 / 220 -230	50 / 60	35 / 17.5	110 / 55
Plunger Pump Radial Axial Pump	Three	High Pressure / Booster	220-230 / 380-460	50 / 60	220 / 380 - 440 11 / 5.5	220 / 380 - 460 30 / 15
	Three	High Pressure / Booster	220-230 / 380-460	50 / 60	11 / 5.5	30 / 15

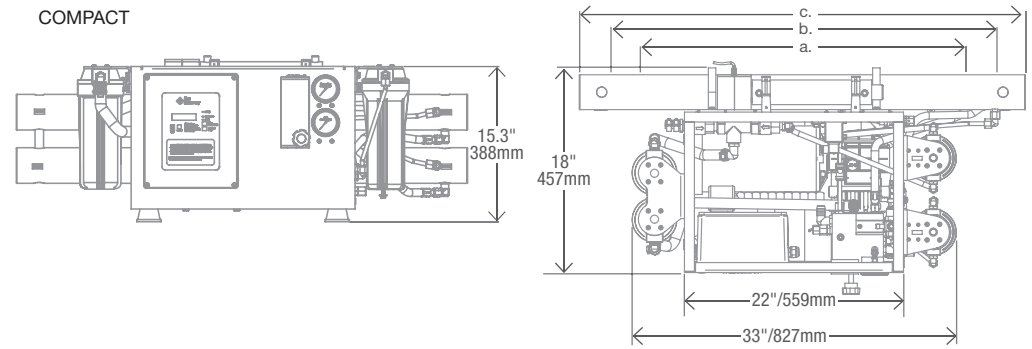
Circuit Breaker Size	Operating AC Voltage	Phase	Recommended circuit breaker
Plunger Pump Radial Axial Pump	110-115 / 220-230	Single	40 Ampere / 20 Ampere
Plunger Pump Radial Axial Pump	220 / 380 / 460	Three	15 Ampere / 10 Ampere / 10 Ampere

Dimensions

AQUA WHISPER_{DX}

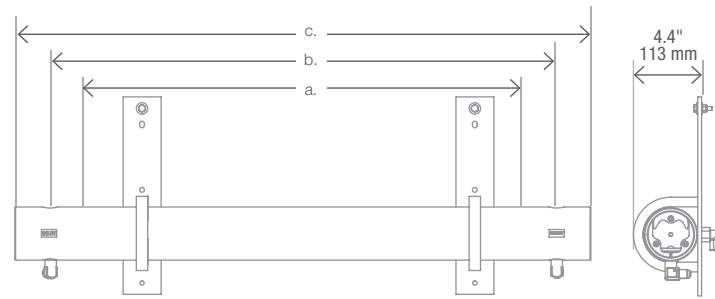
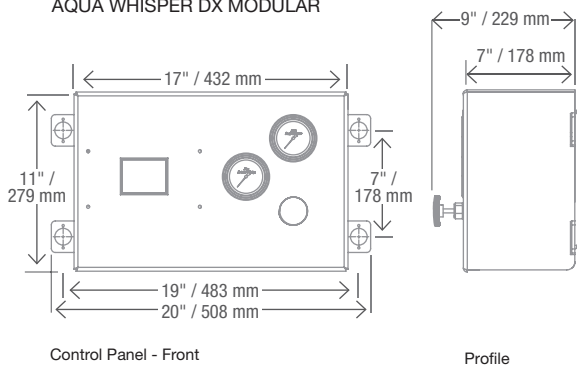


AQUA WHISPER_{PRO}



- a. 27 15/16" (710mm): Aqua Whisper DX / PRO Compact 450-1 & 900-2 b. 37 15/16" (964mm): Aqua Whisper DX / PRO Compact 700-1 & 1400-2
 c. 46 15/16" (1192mm): Aqua Whisper DX / PRO Compact 900-1 & 1800-2

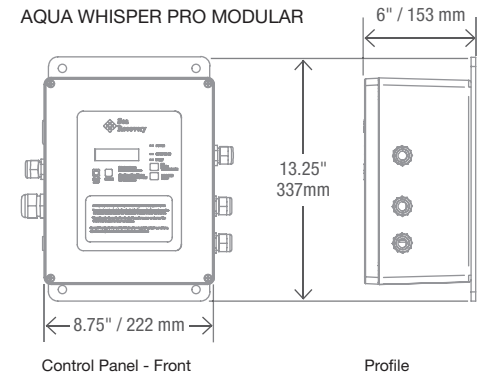
AQUA WHISPER_{DX} MODULAR



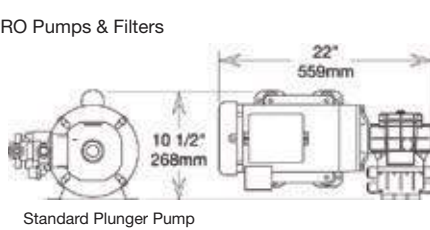
Double R.O. Membrane Vessel Assembly

- a. 27 15/16" - 710mm: Aqua Whisper DX/PRO Modular 450-1 & 900-2
 b. 37 15/16" - 964mm: Aqua Whisper DX/PRO Modular 700-1 & 1400-2
 c. 46 15/16" - 1192mm: Aqua Whisper DX/PRO Modular 900-1 & 1800-2

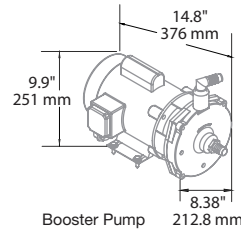
AQUA WHISPER_{PRO} MODULAR



AQUA WHISPER_{DX} / PRO Pumps & Filters



Standard Plunger Pump



Booster Pump



Sea Strainer



Dual Pre-filter & Dual Post Filter

WATER CONNECTIONS: Feed Water 3/4", Brine Discharge 3/4", Product Water 1/2"