



Fischer Panda®

Power wherever
you are™

Fischer Panda 80kW 420V 1900rpm drive

Technical specifications:

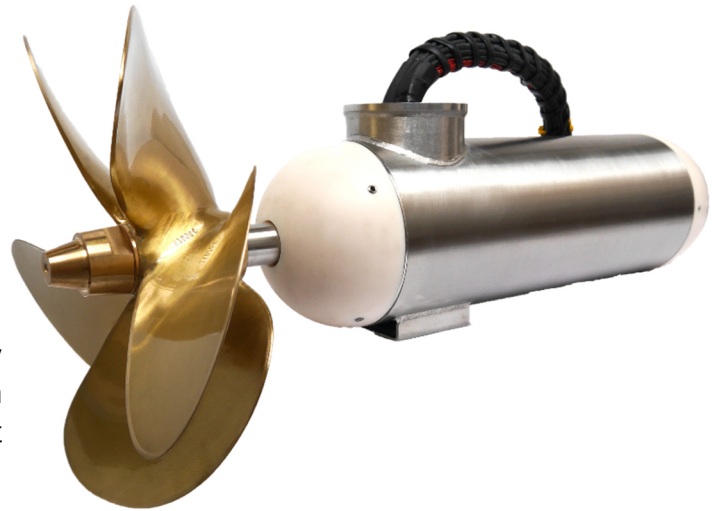
Voltage: 420V
Input power: 85 kW
Shaft power: 80 kW
RPM: 1900
Nm: 397
Weight: 138kg

Art-No: 0022797

Our underwater motors are made of heavy duties and high quality V4A stainless steel, in addition, our 3-stage seal provides the highest level of safety.

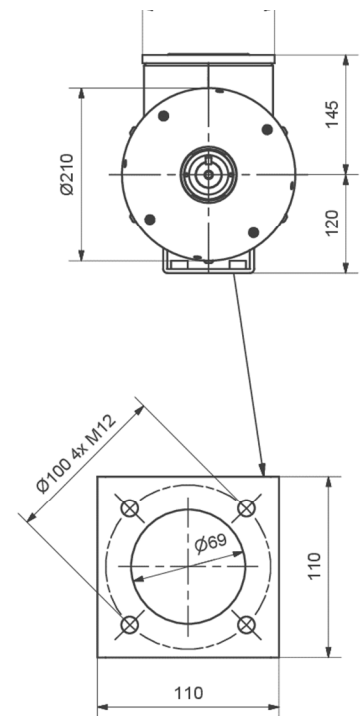
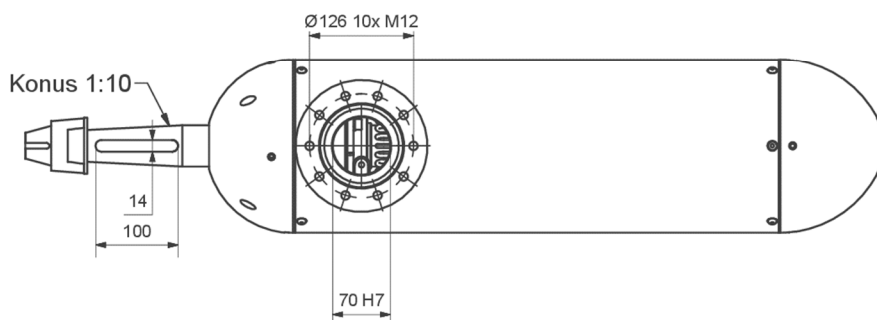
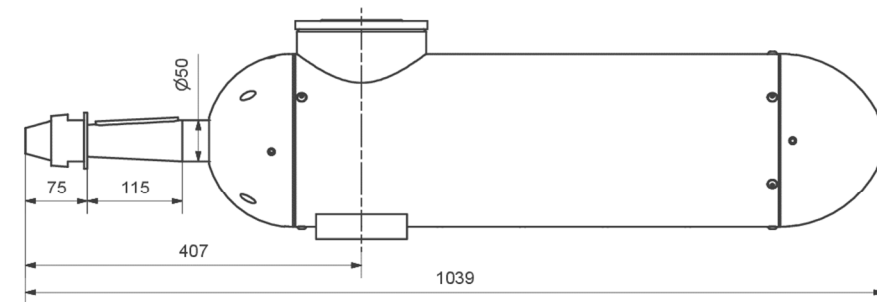
Our motors are without gear, brushless, sensorless and have no oil filling.

This makes our engines: durable, efficient and low maintenance!



Konus 1:10

suitable for standard propellers



Fischer Panda UK Limited
17 Blackmoor Road,
Ebble Estate
Verwood, Dorset
BH31 6AX



Tel: +44 (0)1202 820840
Fax: +44 (0)1202 828688



Email: info@fischerpanda.co.uk
Web: www.fischerpanda.co.uk