



Fischer Panda[®]

Power wherever
you are™

Fischer Panda 10kW 48V 600rpm drive

Technical specifications:

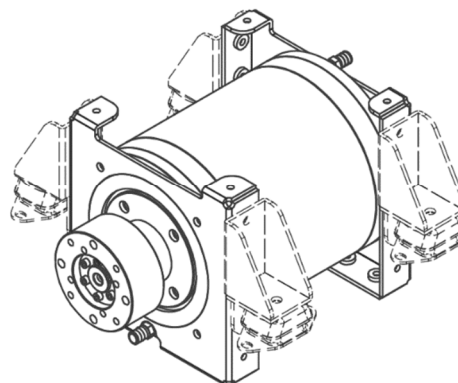
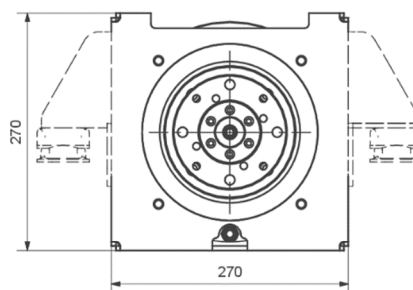
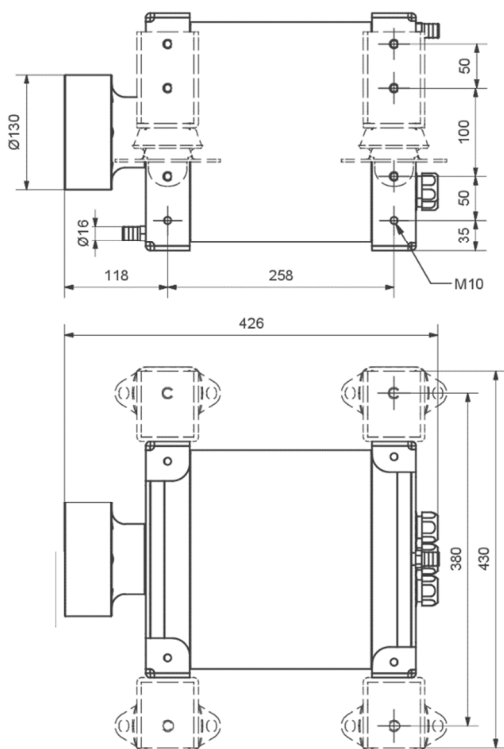
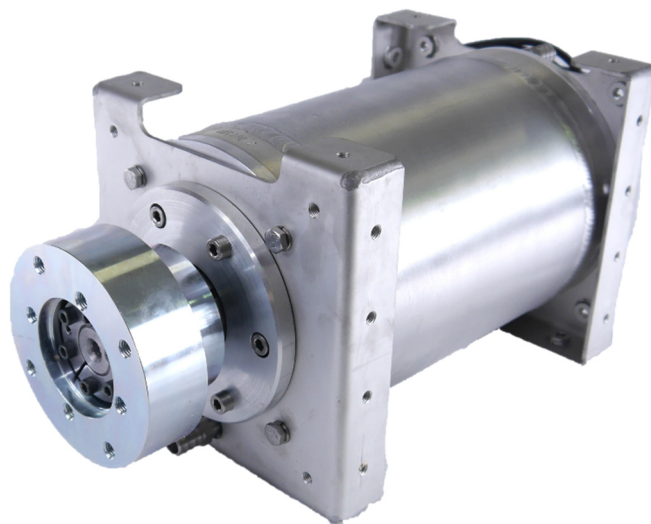
Voltage: 48V
Input power: 11 kW
Shaft power: 10 kW
RPM: 600
Nm: 160
Weight: 58kg

Art-No: 0005677

Our shaft motors are made of heavy duties and have a double-walled aluminum housing which is water-cooled with integrated thrust bearings.

They are without gear, brushless, sensorless and have no oil filling.

This makes our engines: durable, efficient and low maintenance!



Fischer Panda UK Limited
17 Blackmoor Road,
Ebble Lake Estate
Verwood, Dorset
BH31 6AX



Tel: +44 (0)1202 820840
Fax: +44 (0)1202 828688



Email: info@fischerpanda.co.uk
Web: www.fischerpanda.co.uk